

PACKAGE CONTENTS

BACKREST	x1
SEAT	x1
5-STAR BASE	x1
SIDE COVER KIT	x2
GAS LIFT	x1
WHEELS	x5
SCREW M8x25 mm	x16
LARGE WASHER	x16
MAGNETIC RINGS	x2
SCREWDRIVER	x1
GAS LIFT COVER	x1
GROVER	x16
SOFT PADS	x4
ARMREST	x2
ADJUSTABLE MAGNETIC HEADREST	x1
ADJUSTABLE LUMBAR CUSHION	x1
CONVENTIONAL TILT MECHANISM	x1

If you have problems during chair assembly, please contact us for further instructions.

Do not attempt to adjust this lever until the backrest is installed. It will help you avoid the improper operation of the mechanism and injury of the hand

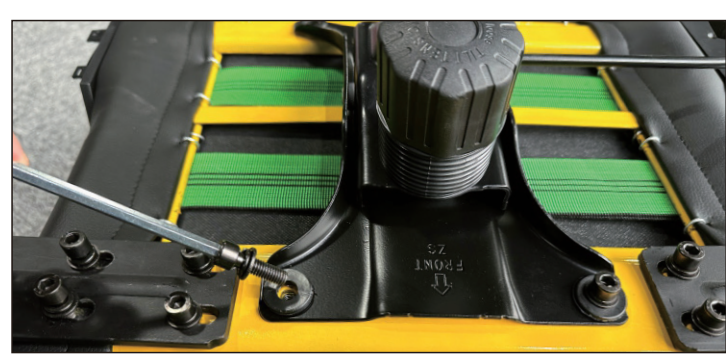
IMPORTANT



3 Place the assembled base on the floor and insert the gas lift with the button up. Please put on the gas lift cover on it.



6 Fix the conventional tilt mechanism underneath the seat base using M8x25mm screws. Soft pads have to be placed between the mechanism and the seat. Please note - the rotary knob for adjusting the spring rate must be facing forward.



9 To get the fully access to comfy usage magnet side covers, please remove the transportation screws from the both sides. For further chair's transportation please insert the screws back or take covers off prior.



1 Remove all chair parts from the box without touching the backrest adjuster (the mechanism is on the seat). Before assembling, please check all parts by the checking list.



4 Take the screw set. Make sure that screws have washers and grovers. Magnetic rings are provided for two screws.



7 Install the assembled seat on the gas lift. Ensure the gas lift fits securely into the hole in the conventional tilt mechanism.



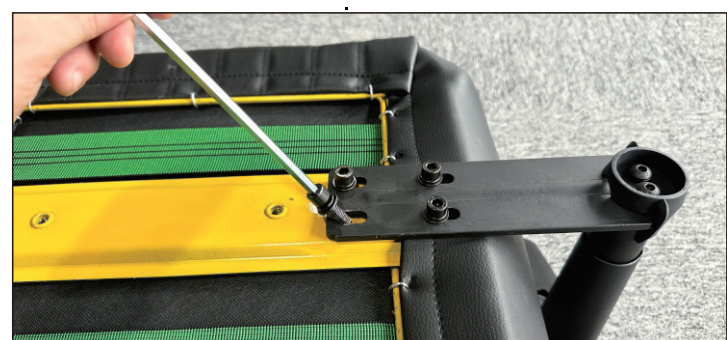
10 Put the magnetic top cover on both sides.



2 Take the base and insert the five wheels into the designated holes.



5 Fix the two armrests to the seat base using M8x25 mm screws.



Install the backrest of the chair and secure it with M8x25mm screws. First, put a groover on the screws, then a large washer. Start by screwing in the screws from the side of the right hinge, not tightening them and avoiding any skew. After that, screw in the left side and tighten the screws on both sides of the backrest. For the right side, use two screws with magnetic rings.

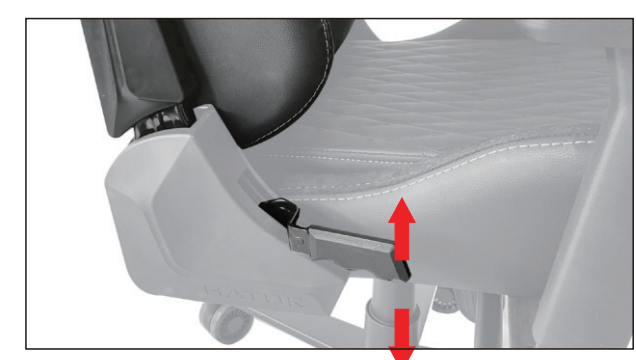


11 Fix the lumbar cushion and snap it on the back with straps. Place the magnetic head cushion on the backrest of the chair at a comfort level.



*Product and parts design are for reference only

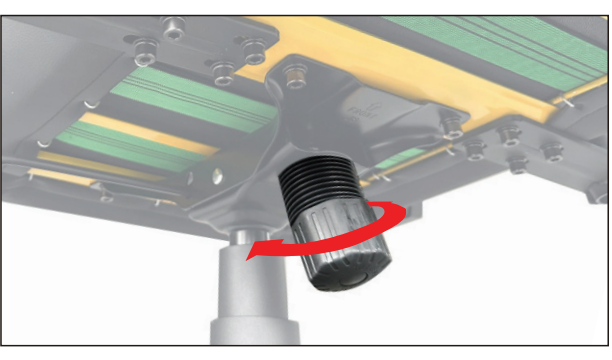
USING GUIDE



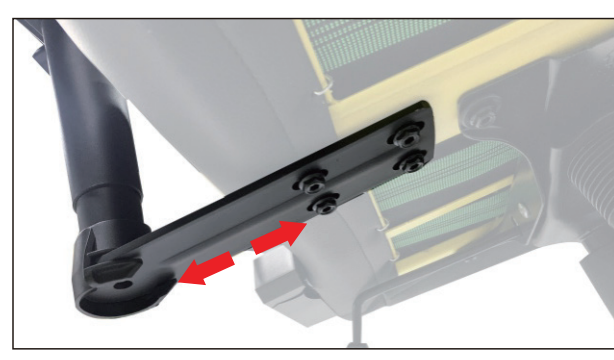
BACKREST ADJUSTMENT
Fully pull the lever up and slowly recline the backrest backward to the desired position. When the desired backrest angle is reached, slowly release the lever.



2D ARMREST ADJUSTMENT
Press and hold the button to adjust the needed height. Rotate the armrest around the axis to find a comfortable position.



SWING ADJUSTMENTS
The swing mode can be adjusted according to your weight. If the chair does not swing, turn the handle under the seat clockwise or counterclockwise, adjusting the swing stiffness to suit you. If the swing stiffness is adjusted correctly, you can swing easily in the chair.



CHANGING THE DISTANCE BETWEEN ARMREST
You can change the distance between the armrests. Loosen the M8 screw at the bottom of the armrest and move the armrest to the desired position, then tighten the screw in the selected position.

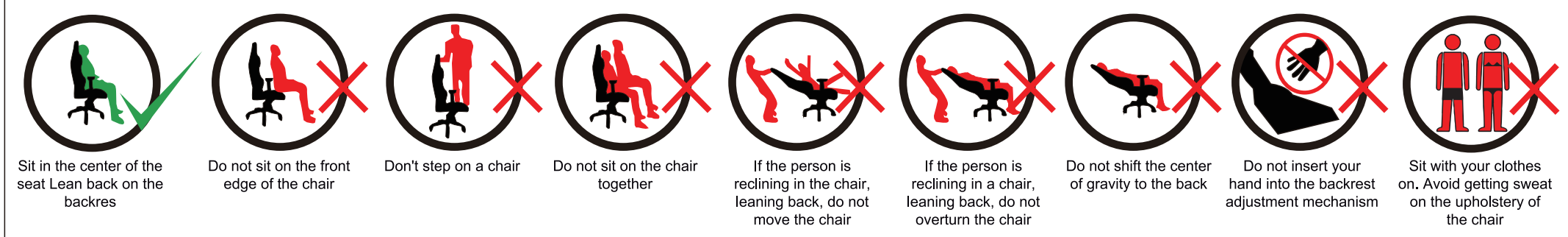


ADJUSTING THE SEAT HEIGHT AND ROLLING MODE
① To lower the seat height, turn the lever knob up. The seat will lower under your weight.
To raise the seat height, stand up and turn the lever up. The seat will rise.
② To turn on the swing, pull the lever to the right. The chair will rock when you lean back.
③ To turn off the rocking and lock the seat, move the lever to the left, in the direction of the mechanism

IMPORTANT TERMS OF USE

- This chair is intended solely for its intended use.
- Do not step on the chair or use it as a ladder as it may tip over.
- When using on a hard floor, be sure to place a mat under the chair to avoid damaging the floor surface.
- Use the product on a horizontal surface.
- This chair is designed for one person use.
- Move the chair carefully.
- Do not place the chair near heat sources to avoid surface damage and fire.
- Avoid direct sunlight on the surface of the chair for a long time.
- It is strictly forbidden to use the chair in places where flammable items are stored or in rooms with high humidity.
- Wipe clean with a soft dry cloth and do not use aggressive detergents.
- It is forbidden to knock out and disassemble the gas lift and other parts
- Sit with your clothes on. Avoid getting sweat on the upholstery of the chair.
- We recommend wiping the chair after the first assembly with an alcohol-free wipe for hygienic purposes.

IMPORTANT



WARRANTY AND CARE

HATOR

LIMITED WARRANTY TERMS

The manufacturer provides a 1-year limited warranty for all mechanical parts and components of the HATOR gaming chairs for **Darkside, Sport Light, Flash** and 2-years limited warranty for **Arc, Arc S, Arc X, Darkside PRO, Darkside RGB, Ironsky Series**, subject to compliance by the user with all warnings and rules for using the products. The service life of the products is 5 years.

The maximum static load capacity for Darkside RGB, Flash Series – is up to 90 kg, Darkside, and Sport Light Series – up to 100 kg, for Darkside PRO, Ironsky Series – up to 120 kg, for Arc, Arc S and Arc X Series – up to 200 kg.

Damage to the upholstery of chairs, mechanisms, main assemblies, and components due to non-compliance by the user with the rules for using the products outlined in this manual may limit the manufacturer's warranty obligations.

IMPORTANT! The limited warranty does not apply to commercial use of the seat. Commercial use of the seats requires agreement with the supplier.

COMFORT AND ERGONOMICS

To stay healthy, do not sit continuously. From time to time, but at least once every two hours, get up for 10-15 minutes from the chair to walk and stretch. Care about your posture and body position when sitting. Do not hunch over or extremely bend from the vertical in any direction. Your elbows should rest freely on the armrests, and your feet should touch the floor or stand. The angle between the knee and hip should be right or obtuse.

SAFETY USAGE

This product is a piece of furniture designed for one person in a sitting or lays in a reclined position. To ensure the safety of use is recommended to follow the rules below:

- To avoid damaging the chair and causing or injury, be careful when moving it, please. Pay attention to the position of your hands when adjusting the movable elements and levers.
- Fully pull the backrest adjustment lever to upper position before changing the backrest tilt and release it only after the desired angle is set.
- To prevent the chair from tipping over: 1) find the center of your gravity when back rests on the lumbar support. 2) Do not sit on the front edge of the seat. 3) Do not stand on the chair. 4) Do not press on the backrest when the seat is reclined. 5) Do not put all your weight on the back.
- To prevent damage and drying of PU leather, cracking of plastic components, do not put the chair near the radiator, fireplace, or other high-temperature sources and keep the chair out of direct sunlight.
- To avoid damage, do not place heavy objects on the chair's armrests, do not lean on them with all your weight, and do not exceed the maximum permitted load on the chair, including putting more than one person on it.
- To prevent damage to the upholstery, keep the chair away from sharp objects, avoid rubbing against walls or furniture, and keep pets away.

The chairs are created for usage in standard temperature conditions.

CARE AND CLEANING

There are minimal requirements for keeping up the chair. In case of loosening of individual parts of the chair, please tighten the loosened bolts. If there are extraneous squeaks, find the squeaky part and add some viscous grease to the joint.

Sweat, dirt, grease, and other impurities negatively affect the appearance and durability of PU leather. Please, keep your chair away from it.

To remove pollutions off the chair, clean the chair surface with a slightly damp cloth and suitable cleaning agents. Do not use bleached or aggressive cleaning agents.

We recommended cleaning the surface of the chair from time to time but at least once a month.